

**60" CALYPSO
ACRYLIC DOUBLE
ROLL TOP TUB**

Cat. No.
ADRNTD60B



L: 60"
W: 31"
H: 24-1/2"

Water depth: 14-7/8" to top of tub

The following is recommended for ADRNTD60b tubs:

- Faucets: part #4602, 4604 or 7082
- Rigid, freestanding supplies: part #4502
- Leg tub drain: part #5599LT or 5599TS



Overflow can be drilled.
With overflow drilled this tub
requires drain **5599**.
**Tubs that have been
drilled with overflow are
"special order" and
are not returnable.**

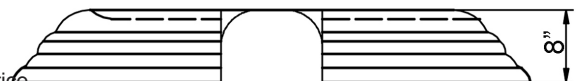
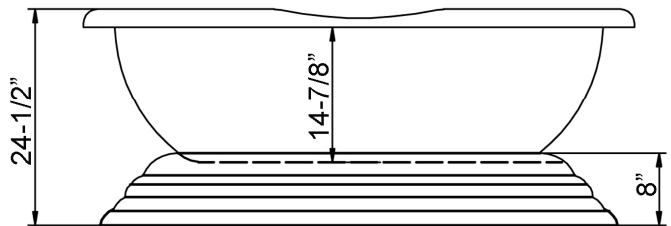
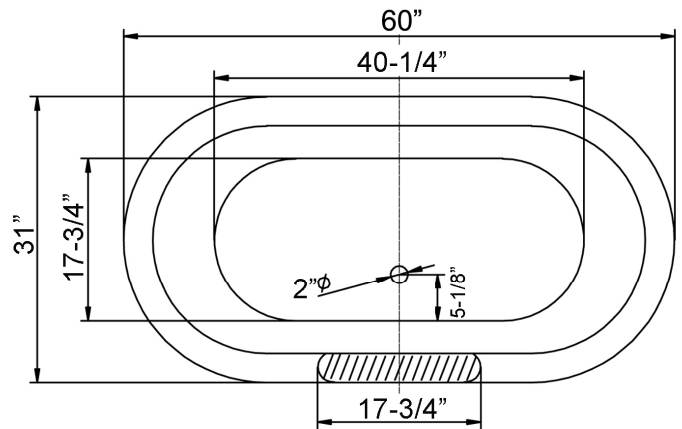
Gallon Capacity : 55
Shipping Weight: 300 lbs.
Empty Weight: 200 lbs.
Filled Weight: 759 lbs.

Features:

- ▶ Acrylic construction for lighter weight
- ▶ Space between wall filled with resin and fiberglass for durability
- ▶ Includes decorative base
- ▶ Tub rim has tap deck
- ▶ No faucet holes
- ▶ No overflow
- ▶ Tub is thoroughly inspected before shipment



Custom Colors Available (inside of tub is always white enamel):
Painted bathtubs are considered "special order" and are not returnable
\$160 Bisque or Black \$250 Designer Color



Dimensions of fixture are nominal and specifications subject to change without notice.