

**PRODUCT SPECIFICATIONS**

Elkay Lustertone™ Stainless Steel 34-5/8" x 23-1/16" x 8-3/4", 60/40 Double Bowl Farmhouse Sink with Aqua Divide. Sink is manufactured from 18 gauge 304 Stainless Steel with a Bright Highlighted Satin finish, Center drain placement, and Sides and Bottom pads.

|                              |                                     |
|------------------------------|-------------------------------------|
| <b>Installation Type:</b>    | Farmhouse                           |
| <b>Material:</b>             | 304 Stainless Steel                 |
| <b>Special Features:</b>     | Aqua Divide                         |
| <b>Finish:</b>               | Bright Highlighted Satin            |
| <b>Gauge:</b>                | 18                                  |
| <b>Sound Deadening:</b>      | Sides and Bottom pads               |
| <b>Number of Bowls:</b>      | 2                                   |
| <b>Sink Dimensions:</b>      | 34-5/8" x 23-1/16" x 8-3/4"         |
| <b>Bowl 1 Dimensions:</b>    | 17" x 18-9/16" x 8-3/4"             |
| <b>Bowl 2 Dimensions:</b>    | 13-7/16" x 18-9/16" x 8-3/4"        |
| <b>Drain Size:</b>           | 3-1/2" (89mm)                       |
| <b>Drain Location:</b>       | Center                              |
| <b>Minimum Cabinet Size:</b> | 39"                                 |
| <b>Mounting Hardware:</b>    | Undermount brackets sold separately |



AMERICAN PRIDE. A LIFETIME TRADITION.  
Like your family, the Elkay family has values and traditions that endure. For almost a century, Elkay has been a family-owned and operated company, providing thousands of jobs that support our families and communities.



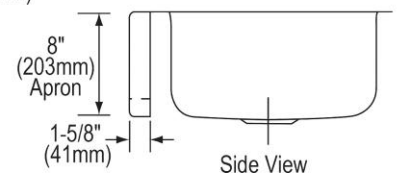
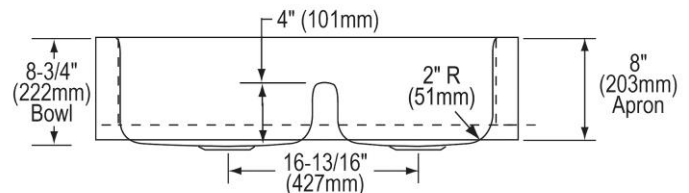
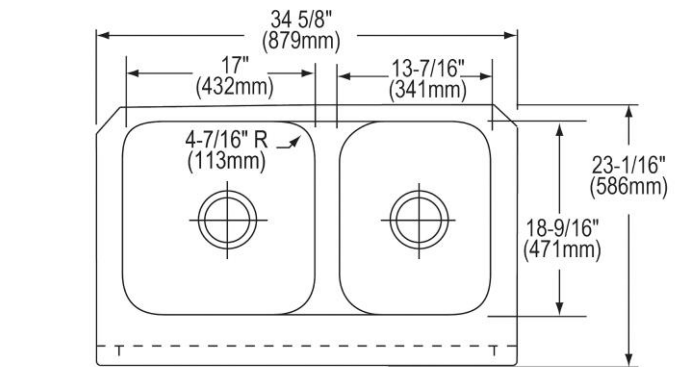
**Product Compliance:** ASME A112.19.3/CSA B45.4  
BUY AMERICAN ACT



Sinks are listed by IAPMO® as meeting the applicable requirements of the Uniform Plumbing Code®, International Plumbing Code®, and National Plumbing Code of Canada.

[Clean and Care Manual \(PDF\)](#)  
[Installation Instructions \(PDF\)](#)  
[Limited Lifetime Warranty \(PDF\)](#)

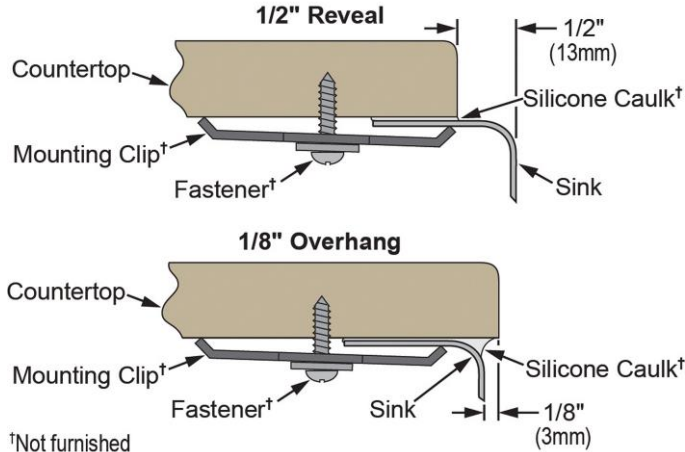
**Similar models are available with:**  
small bowl on the opposite side



PART: \_\_\_\_\_ QTY: \_\_\_\_\_  
PROJECT: \_\_\_\_\_  
CONTACT: \_\_\_\_\_  
DATE: \_\_\_\_\_  
NOTES: \_\_\_\_\_  
APPROVAL: \_\_\_\_\_

*In keeping with our policy of continuing product improvement, Elkay reserves the right to change product specifications without notice. Please visit [elkay.com](http://elkay.com) for the most current version of Elkay product specification sheets. This specification describes an Elkay product with design, quality, and functional benefits to the user. When making a comparison of other producers' offerings, be certain these features are not overlooked.*

**Installation Profile:**



†Not furnished

Designed to affix to the underside of any solid surface countertop.

**OPTIONAL ACCESSORIES**

|                        |   |
|------------------------|---|
| <b>Bottom Grid:</b>    | LKWBG1719SS (large bowl),<br>LKWBG1419SS (small bowl) |
| <b>Cutting Board:</b>  | LKCB2918HW  |
| <b>Drain:</b>          | LK99  |
| <b>Faucet:</b>         | LKGT1041, LKGT2041                                    |
| <b>Hardware:</b>       | LKUCLIP8 (2 Required)                                 |
| <b>Rinsing Basket:</b> | LKWERBSS  |
| <b>Sinkmate:</b>       | LKSMHSL   |
| <b>Soap Dispenser:</b> | LKGT1054  |

In keeping with our policy of continuing product improvement, Elkay reserves the right to change product specifications without notice. Please visit [elkay.com](http://elkay.com) for the most current version of Elkay product specification sheets. This specification describes an Elkay product with design, quality, and functional benefits to the user. When making a comparison of other producers' offerings, be certain these features are not overlooked.