

Keane™ Widespread Lavatory Faucet

FEATURES

- WaterSense certified low-flow 1.5 gpm (5.7 lpm) faucet
- Lever handles
- Brass construction
- Ceramic disk valve cartridges
- Accommodates 6"-12" spread
- Metal pop-up drain assembly included
- Pivoting aerator

COLORS/FINISHES

- #CP Polished Chrome
- #BN Brushed Nickel
- #PN Polished Nickel

CODES/STANDARDS

- Complies with federal and state statutes as lead-free
- Meets or exceeds ASME A112.18.1/CSA B125.1, NSF 61-9
- Certifications: IAPMO(cUPC), EPA WaterSense, State of Massachusetts and others
- Code Compliance: UPC, IPC, NSPC, NPC Canada, and others
- California Green Building Code, City of Los Angeles Water Efficiency Ordinance
- Contains a weighted average of 0.25% lead or less
- ADA compliant



PRODUCT SPECIFICATION

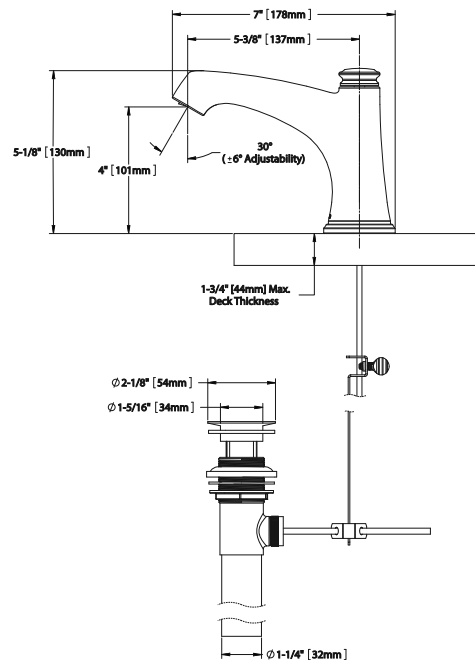
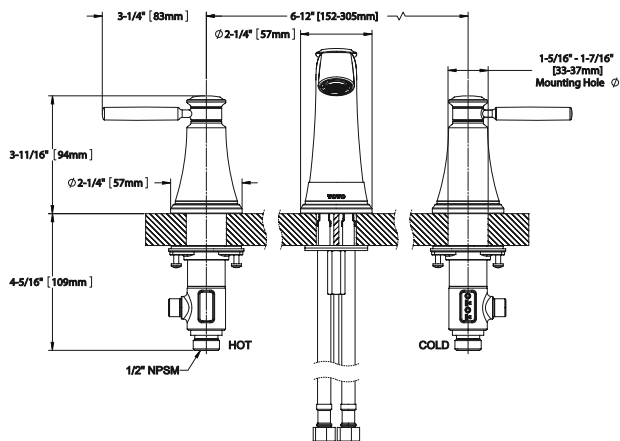
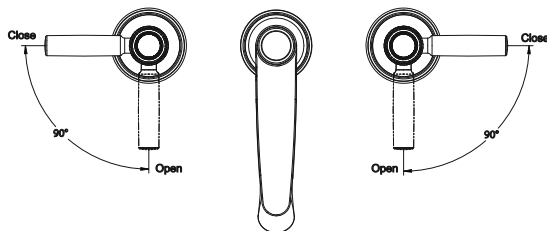
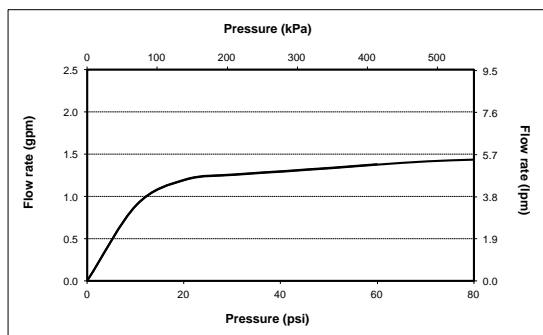
The widespread lavatory faucet shall have a maximum flow rate of 1.5 gpm (5.7 lpm). Product shall have lever handles. Product shall have a brass construction. Product shall have a ceramic disk valve cartridges. Product shall accommodate 6"-12" spread. Product shall include metal pop-up drain assembly. Product shall have a pivoting aerator. Product shall be **TOTO Model TL211DD#_____**.

TL211DD

Keane™ Widespread Lavatory Faucet

SPECIFICATIONS

- Warranty Lifetime Limited Warranty (Residential Use)
One Year (Commercial Use)
- Material Brass
- Shipping Dimensions 13-1/2" L x 7-1/2" W x 4-3/4" H
- Shipping Weight 8.6 lbs.
- Maximum Flow Rate 1.5 gpm (5.7 lpm)



TOTO

These dimensions and specifications are subject to change without notice